

**PRECISION ENGINEERED TO MOVE**  
 C.A.E. PERFORMANCE PRODUCTS PTY LTD  
 7 MAIN ROAD, CASTLEMAINE, VIC 3450  
 P.O. BOX 686, CASTLEMAINE, VIC 3450  
 ABN NO. 37 340 926 183  
 T 03 5472 1442  
 F 03 5472 4111  
[WWW.CAENTERPRISES.COM.AU](http://WWW.CAENTERPRISES.COM.AU)  
[INFO@CAENTERPRISES.COM.AU](mailto:INFO@CAENTERPRISES.COM.AU)

## CUSTOMER WIRING INSTRUCTIONS TO SUIT : Universal LS Series Carby

### Description

This Universal Wiring Loom suits many vehicle applications fitted with a GM LS series engine, retro fitted with intake manifold and carburettor. The Electronic control comes from the MSD 6LS ignition controller. The MSD controller has several programmable features that allow for RPM and Timing Adjustment making it a versatile system that will suit many applications from Street to Racing.

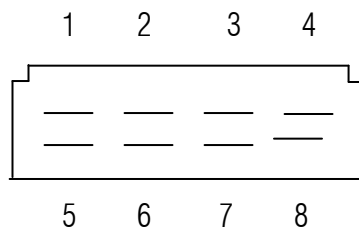
Please Note CAE Performance Products recommends this product be fitted by a qualified technician.

### Instructions

Lay the C.A.E Engine loom in vehicle and plug in all the sensors. (The sensor plugs can only be connected one way). Mount the C.A.E Control Loom with the relays and circuit breakers to right hand side guard or sub frame. Making sure that the earth lug with 3 black wires is secured under the mounting bolt.

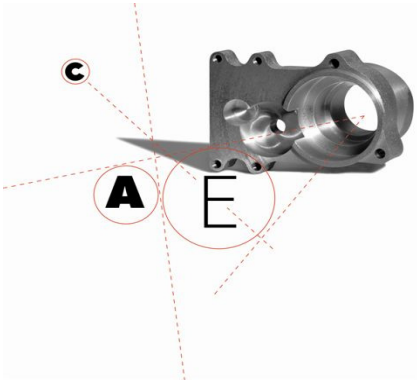
Using terminals and plugs supplied, adapt original harness to the new loom as per colour codes and numbers on the 8 pin female plugs that are listed below:

### A) 8 Pin Female



All Plugs Viewed from the Front i.e.wires come in from the rear

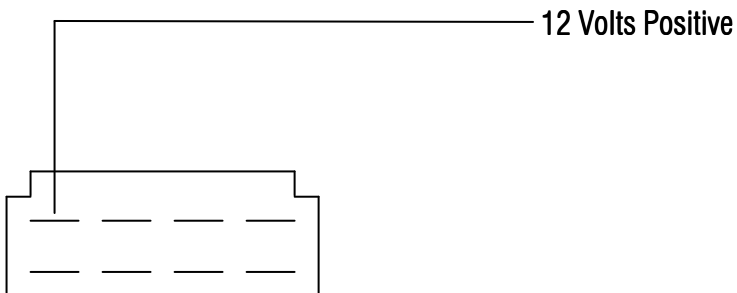
1 ) Red	6 mm	- Main Cabin Feed.
2 ) Pink	3 mm	- Ignition.
3 ) Violet	2 mm	- Starter motor signal
4 ) White / Black	2 mm	- Alternator Light.
5 ) Green	2 mm	- Water Temp Gauge..
6 ). Blue	2 mm	- Oil light /Gauge
7 ) Brown	2 mm	- Tacho Signal.
8 ) BLANK		

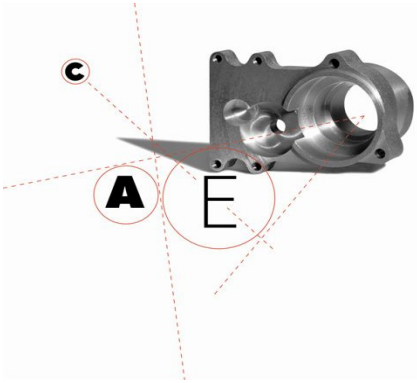


**PRECISION ENGINEERED TO MOVE**  
C.A.E. PERFORMANCE PRODUCTS PTY LTD  
7 MAIN ROAD, CASTLEMAINE, VIC 3450  
P.O. BOX 686, CASTLEMAINE, VIC 3450  
ABN NO. 37 340 926 183  
T 03 5472 1442  
F 03 5472 4111  
[WWW.CAENTERPRISES.COM.AU](http://WWW.CAENTERPRISES.COM.AU)  
[INFO@CAENTERPRISES.COM.AU](mailto:INFO@CAENTERPRISES.COM.AU)

## 1 ) Battery Supply – 6MM Red

This is an auxiliary battery supply, ( rated at 40 amps ). It can be used for a number of things including power supply to the ignition switch.





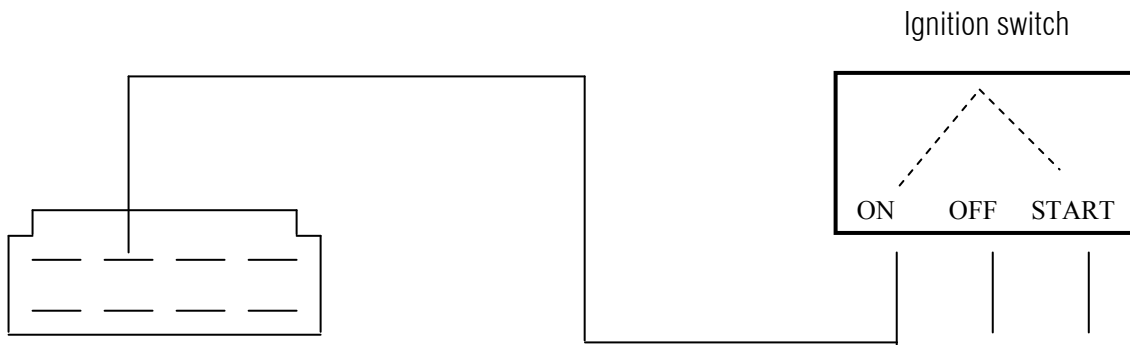
**PRECISION ENGINEERED TO MOVE**  
C.A.E. PERFORMANCE PRODUCTS PTY LTD  
7 MAIN ROAD, CASTLEMAINE, VIC 3450  
P.O. BOX 686, CASTLEMAINE, VIC 3450  
ABN NO. 37 340 926 183  
T 03 5472 1442  
F 03 5472 4111  
[WWW.CAENTERPRISES.COM.AU](http://WWW.CAENTERPRISES.COM.AU)  
[INFO@CAENTERPRISES.COM.AU](mailto:INFO@CAENTERPRISES.COM.AU)

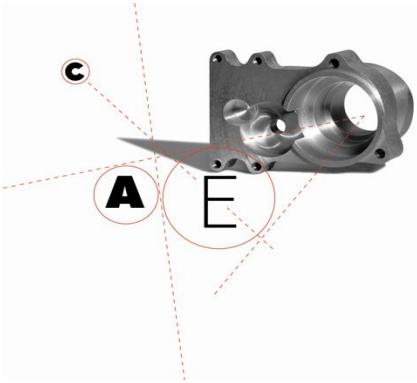
## 2 ) Ignition Supply – 3mm Pink

This is to be wired up to the Ignition switch. Making sure that there is 12 volts power when the key is in the ON position, and while the engine is being cranked.

### IF VEHICLE WAS ORIGINALLY FITTED WITH POINTS:

You will have to find the ignition bypass wire and discard it. (**Refer to NOTE 3 last page of instructions**)

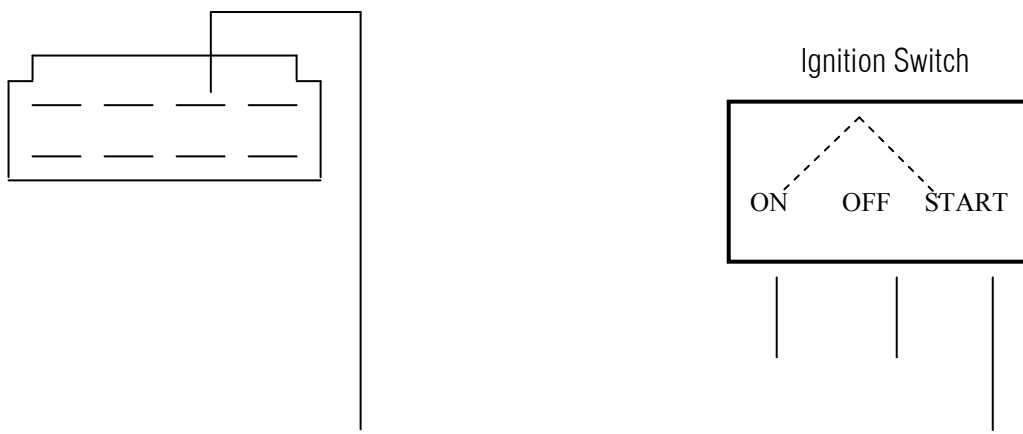


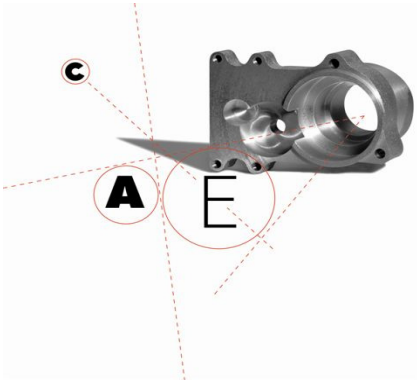


**PRECISION ENGINEERED TO MOVE**  
C.A.E. PERFORMANCE PRODUCTS PTY LTD  
7 MAIN ROAD, CASTLEMAINE, VIC 3450  
P.O. BOX 686, CASTLEMAINE, VIC 3450  
ABN NO. 37 340 926 183  
T 03 5472 1442  
F 03 5472 4111  
[WWW.CAENTERPRISES.COM.AU](http://WWW.CAENTERPRISES.COM.AU)  
[INFO@CAENTERPRISES.COM.AU](mailto:INFO@CAENTERPRISES.COM.AU)

### 3 ) Starter motor Signal – 2mm Violet

This is to be wired to the start position on the ignition switch. If using an Automatic gearbox, wire this up through the inhibitor switch first.

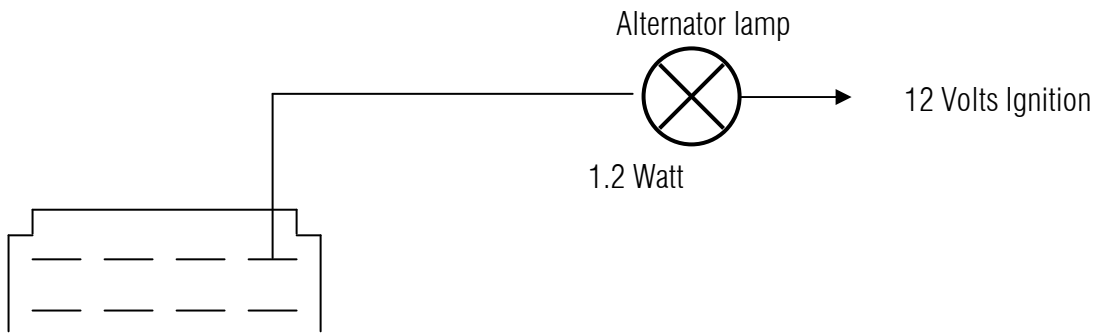


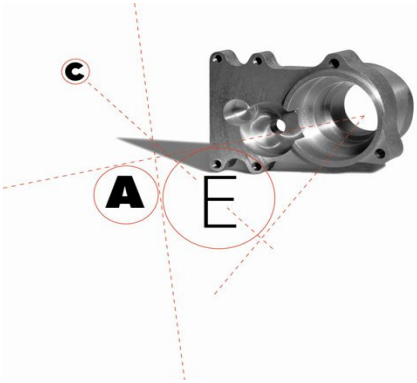


**PRECISION ENGINEERED TO MOVE**  
C.A.E. PERFORMANCE PRODUCTS PTY LTD  
7 MAIN ROAD, CASTLEMAINE, VIC 3450  
P.O. BOX 686, CASTLEMAINE, VIC 3450  
ABN NO. 37 340 926 183  
T 03 5472 1442  
F 03 5472 4111  
[WWW.CAENTERPRISES.COM.AU](http://WWW.CAENTERPRISES.COM.AU)  
[INFO@CAENTERPRISES.COM.AU](mailto:INFO@CAENTERPRISES.COM.AU)

#### 4 ) Alternator Lamp – 2mm White/Black

This is to be wired to alternator warning light.

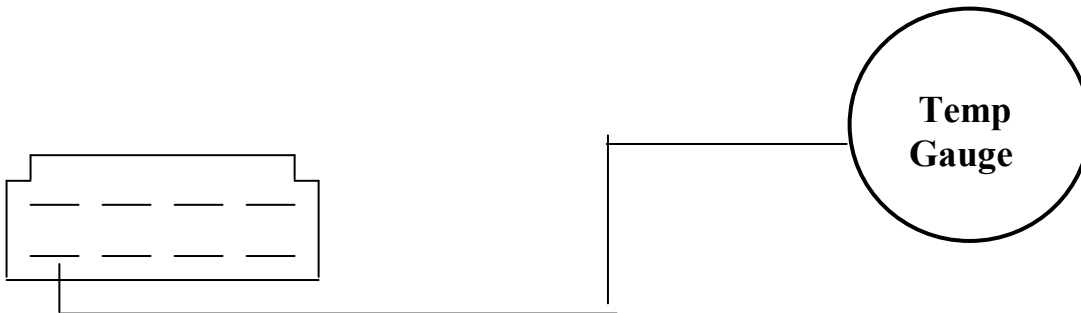


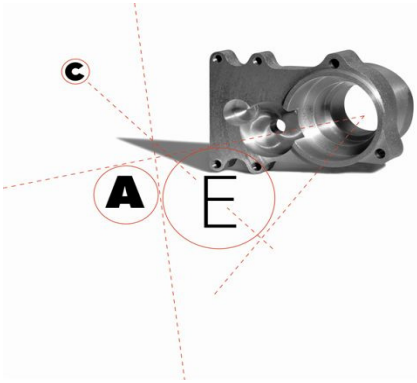


**PRECISION ENGINEERED TO MOVE**  
C.A.E. PERFORMANCE PRODUCTS PTY LTD  
7 MAIN ROAD, CASTLEMAINE, VIC 3450  
P.O. BOX 686, CASTLEMAINE, VIC 3450  
ABN NO. 37 340 926 183  
T 03 5472 1442  
F 03 5472 4111  
[WWW.CAENTERPRISES.COM.AU](http://WWW.CAENTERPRISES.COM.AU)  
[INFO@CAENTERPRISES.COM.AU](mailto:INFO@CAENTERPRISES.COM.AU)

## 5 ) Temperature Gauge – 2mm Green.

This is to wired up to the Temperature gauge, if you are using the original temp gauge on the vehicle, you will have to change the temp sender to match.

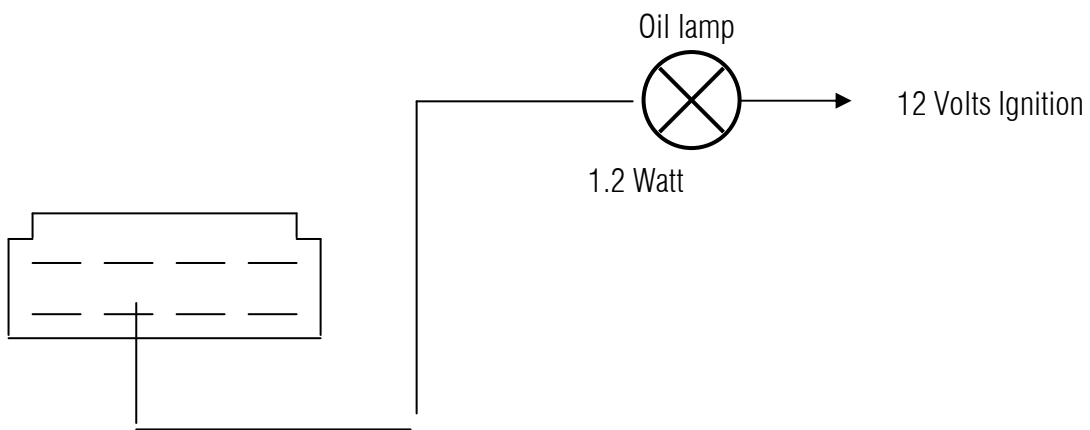


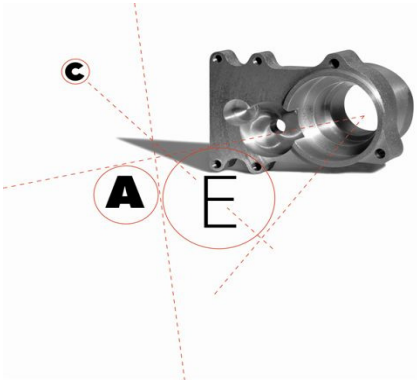


**PRECISION ENGINEERED TO MOVE**  
C.A.E. PERFORMANCE PRODUCTS PTY LTD  
7 MAIN ROAD, CASTLEMAINE, VIC 3450  
P.O. BOX 686, CASTLEMAINE, VIC 3450  
ABN NO. 37 340 926 183  
T 03 5472 1442  
F 03 5472 4111  
[WWW.CAENTERPRISES.COM.AU](http://WWW.CAENTERPRISES.COM.AU)  
[INFO@CAENTERPRISES.COM.AU](mailto:INFO@CAENTERPRISES.COM.AU)

## 6 ) Oil Lamp / Gauge – 2mm Blue

This is to be wired to Oil warning light or oil gauge ( Not both ).

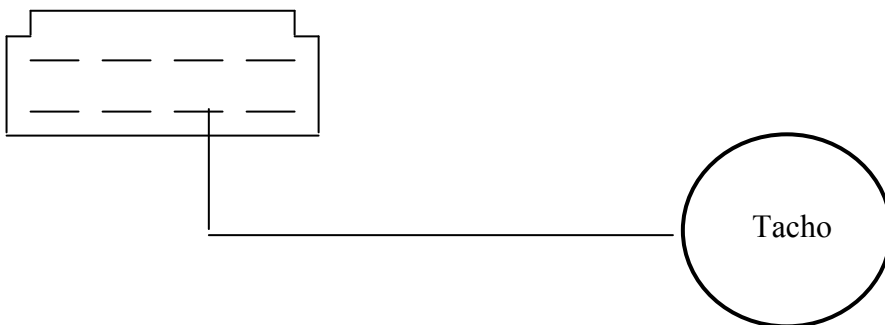




**PRECISION ENGINEERED TO MOVE**  
C.A.E. PERFORMANCE PRODUCTS PTY LTD  
7 MAIN ROAD, CASTLEMAINE, VIC 3450  
P.O. BOX 686, CASTLEMAINE, VIC 3450  
ABN NO. 37 340 926 183  
T 03 5472 1442  
F 03 5472 4111  
[WWW.CAENTERPRISES.COM.AU](http://WWW.CAENTERPRISES.COM.AU)  
[INFO@CAENTERPRISES.COM.AU](mailto:INFO@CAENTERPRISES.COM.AU)

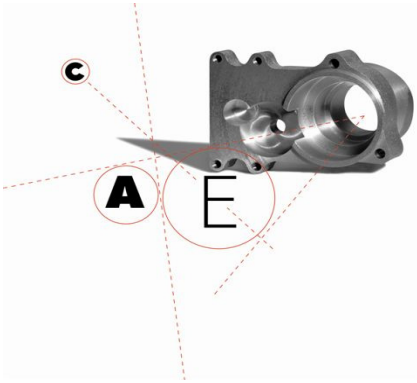
## 7 ) Tacho Signal                      2mm Brown

This is to wired up to the tacho signal, on the back of the tacho.



## 8)      BLANK





**PRECISION ENGINEERED TO MOVE**  
 C.A.E. PERFORMANCE PRODUCTS PTY LTD  
 7 MAIN ROAD, CASTLEMAINE, VIC 3450  
 P.O. BOX 686, CASTLEMAINE, VIC 3450  
 ABN NO. 37 340 926 183  
 T 03 5472 1442  
 F 03 5472 4111  
[WWW.CAENTERPRISES.COM.AU](http://WWW.CAENTERPRISES.COM.AU)  
[INFO@CAENTERPRISES.COM.AU](mailto:INFO@CAENTERPRISES.COM.AU)

## (C) SPECIAL NOTES

(D) Run the fuel pump wiring down to the fuel pump and connect as follows :  
 ( Red is positive - Black is negative )

(E) Run the thermo fan wiring down to the front of the radiator and with the 2 pin plug, wire in the fans. Check the direction of the cooling fans. If the fan runs backwards, reverse the wires in the 2 pin plug (red & black)

(F) After final installation of the loom, check that all of the circuit breaker connection are tight.

Note 1: **Thermo Fan Circuit.**

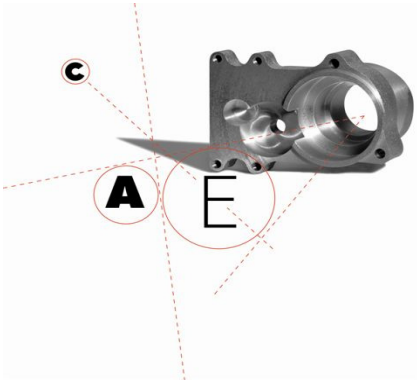
Original Circuit for ;

### Holden VT, VX, VU, VY Thermo Fans

Yellow = High Speed Earth Switching  
 Black = Low Speed Earth Switching  
 Green = Positive Feed from Fusible Link  
 Red = Positive Feed from Fusible Link

### Ford Thermo Fans.

(1) Blue = High  
 (2) Blue = Low  
 (1) Black = Earth  
 (2) Black = Earth



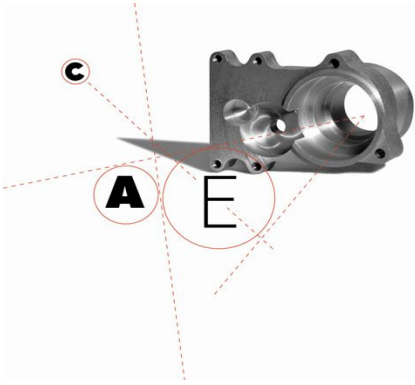
**PRECISION ENGINEERED TO MOVE**  
C.A.E. PERFORMANCE PRODUCTS PTY LTD  
7 MAIN ROAD, CASTLEMAINE, VIC 3450  
P.O. BOX 686, CASTLEMAINE, VIC 3450  
ABN NO. 37 340 926 183  
T 03 5472 1442  
F 03 5472 4111  
[WWW.CAENTERPRISES.COM.AU](http://WWW.CAENTERPRISES.COM.AU)  
[INFO@CAENTERPRISES.COM.AU](mailto:INFO@CAENTERPRISES.COM.AU)

**Note 2: If Engine does not start.**

- a) Do you have fuel pressure?
- b) Do you have Hi Tension Spark?
- c) Do you have Injection Pulse?
- d) Check Pin 2 on Control loom Ignition feed with test light and with the Ignition switched on and with the Engine cranking over the test light should stay on at all times.  
If light fails to glow, go back to Note 1 and recheck ignition bypass.(see note 3 below)

**Note 3: Ignition wire – Yellow, and resistor wire – White,** these will have to be cut and joined together at the ignition switch terminals 1 & 2. To do this cut the white, and loop across into the pink wire, and crimp together. The White Resistor wire, can then be removed and discarded from loom.

**Due to shortage of wire colours at times, there may be some wire colours that don't match. If this is the case follow the plug configuration.**



**PRECISION ENGINEERED TO MOVE**  
C.A.E. PERFORMANCE PRODUCTS PTY LTD  
7 MAIN ROAD, CASTLEMAINE, VIC 3450  
P.O. BOX 686, CASTLEMAINE, VIC 3450  
ABN NO. 37 340 926 183  
T 03 5472 1442  
F 03 5472 4111  
[WWW.CAENTERPRISES.COM.AU](http://WWW.CAENTERPRISES.COM.AU)  
[INFO@CAENTERPRISES.COM.AU](mailto:INFO@CAENTERPRISES.COM.AU)

## C.A.E. PERFORMANCE PRODUCTS PTY LTD LOOM WARRANTY

### **Manufacturer's Warranty:-**

All Looms manufactured or modified by C.A.E. Performance Products Pty Ltd will be guaranteed against faulty workmanship for a period of twelve months.

The warranty is subject to the following conditions:-

- All claims must be made within the warranty period.
- Any loom manufactured or modified that has been found to have faulty workmanship or related faults due to the workmanship of C.A.E. Performance Products will be replaced or repaired free of charge.
- C.A.E Performance Products recommend that this product be fitted by qualified personnel.
- The warranty will not apply to a loom that has been installed incorrectly or has been subject to neglect, intentional or accidental damage, unauthorized repairs or modifications or used for the wrong application.
- The warranty does not cover installation or removal of wiring loom or freight costs.

The warranty will only apply to wiring looms used for normal road use.